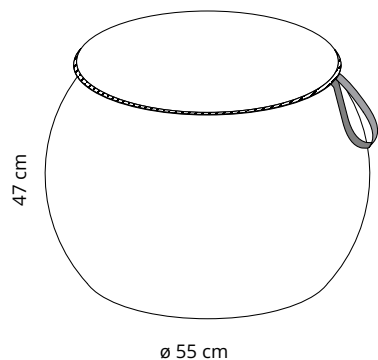




SNOWPOUF

AKOESTIEKBOETIEK





Colore
Colour

FIBER 3
Vedi / see p. 333



Codice/Code
Prezzo/Price

7SN1-300



7SN1-302



7SN1-305



7SN1-308



7SN1-309



7SN1-310

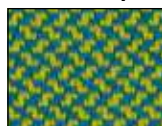


7SN1-313



7SN1-315

FIBER 12
Vedi / see p. 341



Codice/Code
Prezzo/Price

7SN1-1200



7SN1-1201



7SN1-1202



7SN1-1203



7SN1-1204



7SN1-1205

Elemento fonoassorbente con struttura in materiale ligneo e copertura composta da imbottitura interna in tecnopolimero fonoassorbente, rivestimento esterno in tessuto **Snowsound-Fiber Textiles 3 Melange o 12 Econyl**. Maniglia in tessuto.

Sound-absorbing element consisting of wooden structure upholstered with sound-absorbing technopolymer; external covering in **Snowsound-Fiber Textiles 3 Melange or 12 Econyl** fabric. Fabric handle.

Élément phono-absorbant avec structure en matériel bois et couverture composée par en rembourrage intérieur en technopolymère phono-absorbant, revêtement externe en tissu **Snowsound-Fiber Textiles 3 Melange ou 12 Econyl**. Poignée en tissu.

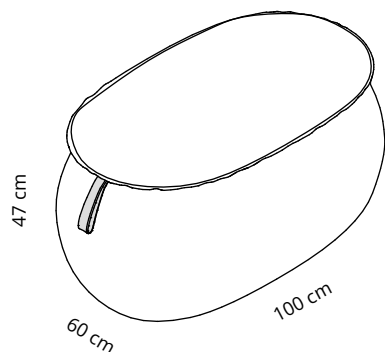
Elemento fonoassorbente con estructura de material derivado de la madera. Parte exterior con guata de tecnopolímero fonoabsorbente, tapizada con tejido **Snowsound-Fiber Textiles 3 Melange o 12 Econyl**. Tirador de tejido.

Schallabsorbierendes Element mit Holzstruktur und Innenpolsterung aus schallabsorbierendem Technopolymer, Außenbezug aus **Snowsound-Fiber Textiles 3 Melange oder 12 Econyl-Gewebe**. Griff aus Stoff.

Rispetta i requisiti di resistenza, durabilità e sicurezza del **1° livello della EN 16139:2013+AC:2013** / Meets the strength, durability and safety requirements of **EN 16139:2013+AC:2013 level 1**

Classe reazione al fuoco / Fire reaction class (solo divani rivestiti in tessuto Fiber 3 melange / only for sofas covered in melange Fiber 3 textiles)

Reazione al fuoco della seduta, **Classe 1IM secondo UNI 9175 e UNI 9175/FA1** -Seat fire reaction, **Class 1IM according to UNI 9175 and UNI 9175/FA1**



Colore
Colour

FIBER 3
Vedi / see p. 333



Codice/Code
Prezzo/Price

7SN2-300



7SN2-302



7SN2-305



7SN2-308



7SN2-309



7SN2-310

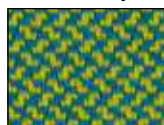


7SN2-313



7SN2-315

FIBER 12
Vedi / see p. 341



Codice/Code
Prezzo/Price

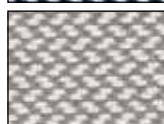
7SN2-1200



7SN2-1201



7SN2-1202



7SN2-1203



7SN2-1204



7SN2-1205

Elemento fonoassorbente con struttura in materiale ligneo e copertura composta da imbottitura interna in tecnopolimero fonoassorbente, rivestimento esterno in tessuto **Snowsound-Fiber Textiles 3 Melange o 12 Econyl**. Maniglia in tessuto.

Sound-absorbing element consisting of wooden structure upholstered with sound-absorbing technopolymer; external covering in **Snowsound-Fiber Textiles 3 Melange or 12 Econyl** fabric. Fabric handle.

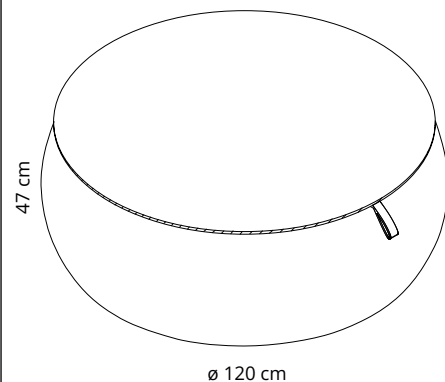
Élément phono-absorbant avec structure en matériel bois et couverture composée par en rembourrage intérieur en technopolymère phono-absorbant, revêtement externe en tissu **Snowsound-Fiber Textiles 3 Melange ou 12 Econyl**. Poignée en tissu.

Elemento fonoabsorbente con estructura de material derivado de la madera. Parte exterior con guata de tecnopolímero fonoabsorbente, tapizada con tejido **Snowsound-Fiber Textiles 3 Melange o 12 Econyl**. Tirador de tejido.

Schallabsorbierendes Element mit Holzstruktur und Innenpolsterung aus schallabsorbierendem Technopolymer, Außenbezug aus **Snowsound-Fiber Textiles 3 Melange oder 12 Econyl-Gewebe**. Griff aus Stoff.

Rispetta i requisiti di resistenza, durabilità e sicurezza del **1° livello della EN 16139:2013+AC:2013** / Meets the strength, durability and safety requirements of **EN 16139:2013+AC:2013 level 1**

Classe reazione al fuoco / Fire reaction class (solo divani rivestiti in tessuto Fiber 3 melange / only for sofas covered in melange Fiber 3 textiles)
Reazione al fuoco della seduta, **Classe 1IM secondo UNI 9175 e UNI 9175/FA1** -Seat fire reaction, **Class 1IM according to UNI 9175 and UNI 9175/FA1**

Colore **FIBER 3**
Colour **Vedi / see p. 333**Codice/Code
Prezzo/Price**7SN4-300****7SN4-302****7SN4-305****7SN4-308****7SN4-309****7SN4-310****7SN4-313****7SN4-315**

Elemento fonoassorbente con struttura in materiale ligneo e copertura composta da imbottitura interna in tecnopolimero fonoassorbente, rivestimento esterno in tessuto **Snowsound-Fiber Textiles 3 Melange**. 2 maniglie in tessuto.

Sound-absorbing element consisting of wooden structure upholstered with sound-absorbing technopolymer; external covering in **Snowsound-Fiber Textiles 3 Melange** fabric. 2 fabric handles.

Élément phono-absorbant avec structure en matériel bois et couverture composée par en rembourrage intérieur en technopolymère phono-absorbant, revêtement externe en tissu **Snowsound-Fiber Textiles 3 Melange**. 2 poignées en tissu.

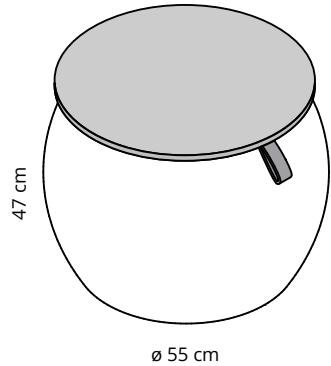
Elemento fonoassorbente con estructura de material derivado de la madera. Parte exterior con guata de tecnopolimero fonoabsorbente, tapizada con tejido **Snowsound-Fiber Textiles 3 Melange**. 2 tiradores de tejido.

Schallabsorbierendes Element mit Holzstruktur und Innenpolsterung aus schallabsorbierendem Technopolymer, Außenbezug aus **Snowsound-Fiber Textiles 3 Melange-Gewebe**. 2 Griff aus Stoff.

Rispetta i requisiti di resistenza, durabilità e sicurezza del **1° livello della EN 16139:2013+AC:2013** / Meets the strength, durability and safety requirements of **EN 16139:2013+AC:2013 level 1**

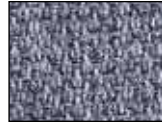
Classe reazione al fuoco / Fire reaction class (solo divani rivestiti in tessuto Fiber 3 melange / only for sofas covered in melange Fiber 3 textiles)

Reazione al fuoco della seduta, **Classe 1IM secondo UNI 9175 e UNI 9175/FA1** -Seat fire reaction, **Class 1IM according to UNI 9175 and UNI 9175/FA1**



Colore
Colour

FIBER 3
Vedi / see p. 333



7SN3-300



7SN3-302



7SN3-305



7SN3-308



7SN3-309



7SN3-310



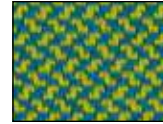
7SN3-313



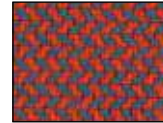
7SN3-315

Codice/Code
Prezzo/Price

FIBER 12
Vedi / see p. 341



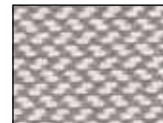
7SN3-1200



7SN3-1201



7SN3-1202



7SN3-1203



7SN3-1204



7SN3-1205

Codice/Code
Prezzo/Price

Elemento fonoassorbente con struttura in materiale ligneo e copertura composta da imbottitura interna in tecnopolimero fonoassorbente, rivestimento esterno in tessuto **Snowsound-Fiber Textiles 3 Melange o 12 Econyl**. Maniglia in tessuto. Piano d'appoggio finitura legno di rovere chiaro.

Sound-absorbing element consisting of wooden structure upholstered with sound-absorbing technopolymer; external covering in **Snowsound-Fiber Textiles 3 Melange or 12 Econyl** fabric. Fabric handle. Table top finishing in light oak wood.

Élément phono-absorbant avec structure en matériel bois et couverture composée par en rembourrage intérieur en technopolymère phono-absorbant, revêtement externe en tissu **Snowsound-Fiber Textiles 3 Melange ou 12 Econyl**. Poignée en tissu. Plateau de table finition bois de chêne clair.

Elemento fonoabsorbente con estructura de material derivado de la madera. Parte exterior con guata de tecnopolimero fonoabsorbente, tapizada con tejido **Snowsound-Fiber Textiles 3 Melange o 12 Econyl**. Tirador de tejido. Tablero de la mesa en acabado roble claro.

Schallabsorbierendes Element mit Holzstruktur und Innenpolsterung aus schallabsorbierendem Technopolymer, Außenbezug aus **Snowsound-Fiber Textiles 3 Melange oder 12 Econyl-Gewebe**. Griff aus Stoff. Tischplatte in Eiche hell.



AKOESTIEKBOETIEK



Deze informatie is afkomstig van de website van AkoestiekBoetiek.nl.

Voor vragen, toelichting en meer informatie kunt u contact opnemen met:

AkoestiekBoetiek

Modem 20b

7741 MJ Coevorden

T +31 (0)85-077 3688

E info@akoestiekboetiek.nl

W www.akoestiekboetiek.nl